

RexPro Roller Chain

HIGH PERFORMANCE BY REXNORD

Rexnord® RexPro® Roller Chain is the standard for quality chains. The combination of selected steels, optimized manufacturing and Rexnord RexPro Lubrication results in outstanding product characteristics. This chain is available in European and American standard, with attachments and extended pins.



SUPERIOR CORROSION PROTECTION

Rexnord RexPro Roller Chain has a very good corrosion protection compared to the best competitor for European and Asian quality roller chains, tested according to the Salt-Spray Test DIN EN ISO 9227 NSS. This results in an improved protection against stiff chain links and a longer working life.

IMPROVED WEAR RESISTANCE

The Rexnord RexPro High Performance Roller Chain has an improved protection against wear. The use of Rexnord RexPro Lubrication leads to a long working life and high operating reliability.

NO HEAVY METALS

The lubrication for Rexnord RexPro Chain contains no heavy metals, no Teflon and no silicone and thereby offers a wide spectrum of applications.

FEATURES & ADVANTAGES

Features

- High fatigue strength
- Improved wear resistance
- Superior corrosion protection
- Environmental friendly
- Manufactured from high-performance materials
- Ball-drifted plate holes
- Seamless rollers
- Shot-peened single parts
- Delivered adjusted and free of twist on request

Advantages

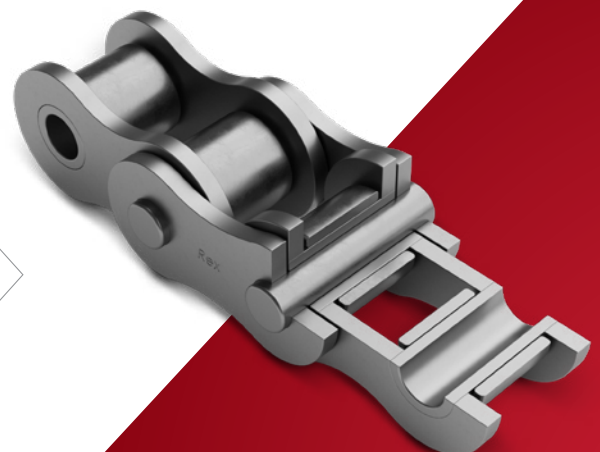
- Minimal pre-running elongation
- Longer working life
- High impact strength
- Robust under tough conditions
- Maximum operating reliability
- Improved cost-effectiveness

Industries Served

- Automotive
- Food & Beverage
- Agriculture
- Construction
- Logistics & Transportation
- Material Handling
- Wood

Lubrication:

- Rexnord RexPro Lubrication for corrosion protection and wear resistance
- NSF H2 certification, RoHS:2011 compliant for electronics industry
- Operating temperature: -30° C to +130° C (can be extended from -40° C to +250° C)
- Very good surface adhesion; remains drip-resistant even at high temperatures
- No heavy metals, Teflon- and silicone-free
- Special lubrications available (for example with NSF H1)



Roller

The special heat treatment and intensive shot-peening of the rollers guarantee high fatigue strength and high shock resistance.

Inner plate

The ball-drifting of the plate bores results in a significant improvement in the press fits and the fatigue strength.

Pin

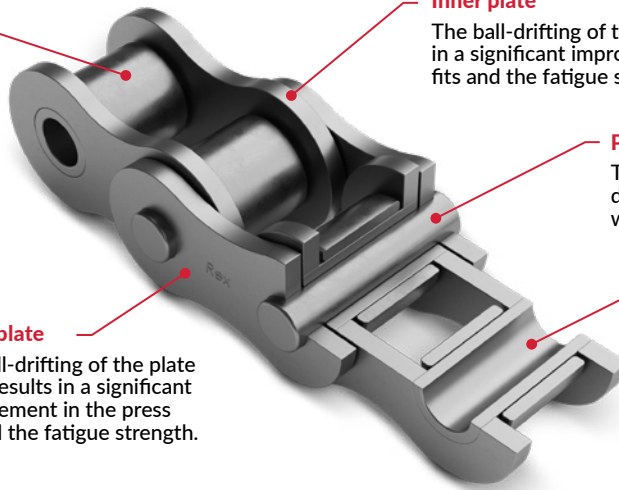
The pins are furnished with an optimally deep hardness layer which increases the working life of the chain.

Outer plate

The ball-drifting of the plate bores results in a significant improvement in the press fits and the fatigue strength.

Bush

The bushes are furnished with an optimally deep hardness layer which increases the working life of the chain.



European Standard - Rexnord RexPro Roller Chain ISO 606*

Simplex Roller Chain

Chain No.	Pitch		Width between inner plates b ₁ min.	Roller diameter d ₁ max.	Pin diameter d ₂ max.	Width over inner link b ₂ max.	Plate depth ε	Transverse pitch e	Pin length		Bearing area A	Required minimum tensile strength ISO 606 F _U	Rexnord minimum tensile strength F _B	Weight q	Loose parts						
	p								a ₁ max.	a ₃ max.					A	F _U	F _B	q	A	B	C
	Inch	mm	mm	mm	mm	mm	mm	mm	mm	mm	mm	cm ²	N	N	kg/m						
04 - 1	0.235	6.0	2.80	4.00	1.85	4.10	5.0	-	7.4	10.3	0.08	3 000	3 000	0.1				x			
05 B - 1	0.315	8.0	3.00	5.00	2.31	4.77	7.1	-	8.6	11.7	0.11	4 400	5 000	0.2	x		x	x			
06 B - 1	0.375	9.525	5.72	6.35	3.28	8.53	8.2	-	13.5	16.8	0.28	8 900	9 000	0.4	x		x	x	x		
081 - 1	0.50	12.7	3.30	7.75	3.66	5.80	9.9	-	10.2	11.7	0.21	8 000	8 200	0.3	x		x	x			
083 - 1	0.50	12.7	4.88	7.75	4.09	7.90	10.3	-	12.9	14.4	0.32	11 600	12 000	0.4			x	x	x		
084 - 1	0.50	12.7	4.88	7.75	4.09	8.80	11.1	-	14.8	16.3	0.36	15 600	16 000	0.6				x			
08 B - 1	0.50	12.7	7.75	8.51	4.45	11.30	11.6	-	17.0	20.9	0.50	17 800	18 000	0.7	x	x	x	x	x		
10 B - 1	0.625	15.875	9.65	10.16	5.08	13.28	14.6	-	19.6	23.7	0.67	22 200	22 400	0.9	x	x	x	x	x		
12 B - 1	0.75	19.05	11.68	12.07	5.72	15.62	15.9	-	22.7	27.3	0.89	28 900	29 000	1.2	x	x	x	x	x		
16 B - 1	1.00	25.4	17.02	15.88	8.28	25.40	20.5	-	36.1	41.5	2.10	60 000	71 000	2.7	x	x	x	x	x	x	
20 B - 1	1.25	31.75	19.56	19.05	10.19	29.00	25.7	-	40.4	47.6	2.96	95 000	112 000	3.8	x	x	x		x	x	
24 B - 1	1.50	38.1	25.40	25.40	14.63	37.90	33.0	-	53.8	60.6	5.54	160 000	198 000	7.0	x	x	x		x	x	
28 B - 1	1.75	44.45	30.99	27.97	15.90	46.50	37.0	-	63.3	72.8	7.39	200 000	200 000	8.9	x	x			x	x	
32 B - 1	2.00	50.8	30.99	29.21	17.81	45.50	41.2	-	65.1	73.6	8.10	250 000	300 000	9.9	x	x	x		x	x	
40 B - 1	2.50	63.5	38.10	39.37	22.89	55.70	51.5	-	78.9	91.3	12.75	355 000	355 000	15.4	x	x			x	x	
48 B - 1	3.00	76.2	45.72	48.26	29.24	70.50	65.0	-	98.5	124.0	20.61	560 000	560 000	26.2	x	x			x	x	
56 B - 1	3.50	88.9	53.34	53.98	34.32	81.30	80.0	-	114.6	140.0	27.90	850 000	850 000	36.7	x	x					x
64 B - 1	4.00	101.6	60.96	63.50	39.40	92.00	93.0	-	130.0	143.0	36.25	1 120 000	1 120 000	49.0	x	x					x
72 B - 1	4.50	114.3	68.58	72.39	44.50	103.80	105.0	-	147.0	161.0	46.19	1 400 000	1 400 000	64.0	x	x					x

*This table contains only the data for the simplex Rexnord RexPro roller chains according to the European standard. All available chain sizes can be found in our catalog or contact Rexnord.

