

# RexHiPro Roller Chain

## EXTREME PERFORMANCE BY REXNORD

Rexnord RexHiPro Roller Chain provides very good corrosion resistance and features high dynamic loading capabilities, an extended wear life and high wear resistance.

### ENVIRONMENTALLY FRIENDLY

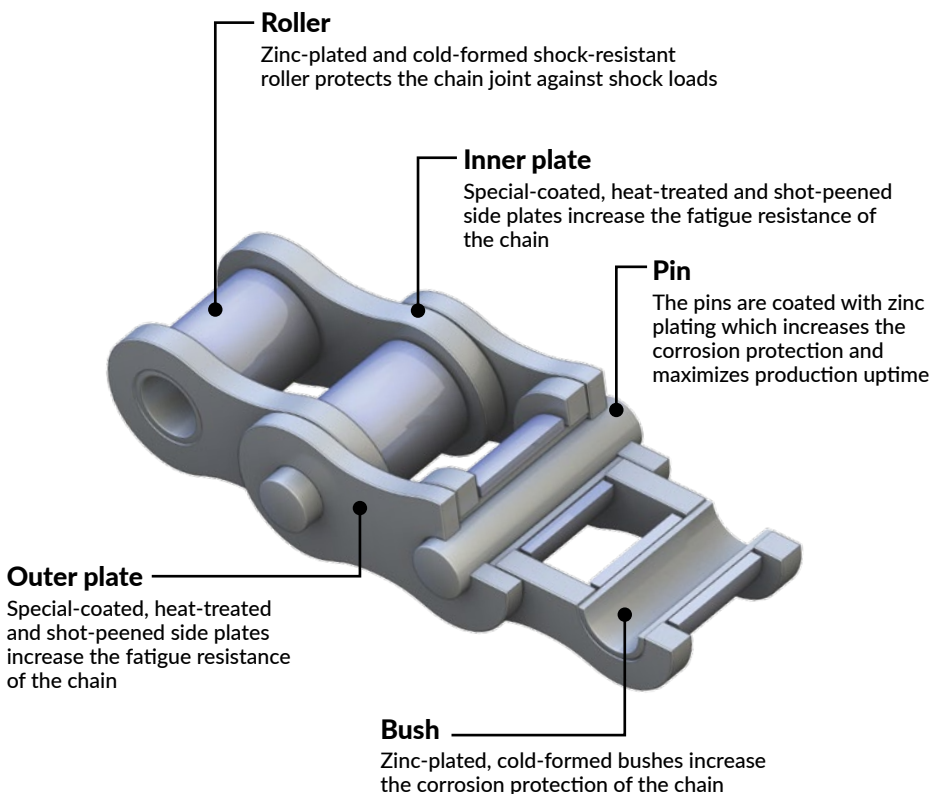
The Rexnord RexHiPro Roller Chain is environmentally friendly because it's completely free from chromium VI and heavy metals, silicone and Teflon. The chain lubrication has a NSF H2 certification and the chain is conform to RoHS:2011 standards and 2011/65/EU, ROHS and Directive 2000/53/EC.

### EXCELLENT CORROSION RESISTANCE

Another advantage of this chain is the excellent corrosion resistance. All chain parts have been coated with anti-corrosion substance which makes the resistance intact for over 600 hours.

### LONG WORKING LIFE

The Rexnord RexHiPro Roller Chain is suitable for wet conditions and therefore can be used outdoors. It has an extremely long working life due to the anti-corrosion coating for all chain parts and the high strength and long-term loading capacity.



### Industries Served

Food & Beverage  
Agriculture  
Wood  
Material Handling

### Features:

- Corrosion resistance over 600 hours (salt spray test conforms to DIN EN ISO 9227)
- Tensile strength and long-term load capacity are comparable to Rexnord RexPro Chains
- Dimensions in accordance with DIN, ANSI and ISO-Norm
- No process-related hydrogen embrittlement
- NSF H2 certification
- RoHS:2011 compliant for electronics industry
- Free from chromium VI, conform to guidelines 2011/65/EU, ROHS and Directive 2000/53/EC

### Benefits:

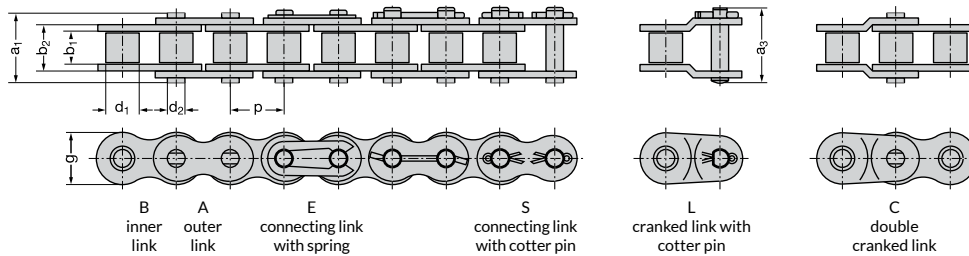
- Corrosion-resistant
- Excellent resistance to liquids used in the automotive industry
- Long wear life
- Cost-effective

**EUROPEAN STANDARD – REXHIPRO ROLLER CHAIN DIN ISO 606 (DIN 8187)**

Simplex roller chain

Chain No.*	Pitch		Width between inner plates	Roller diameter	Pin diameter	Width over inner link	Plate depth	Transverse pitch	Pin length	Connecting pin length	Bearing area	Required minimum tensile strength DIN/ISO	Average tensile strength	Weight	Possible with straight sided plates	Loose parts					
	p															b <sub>1</sub> min.	d <sub>1</sub> max.	d <sub>2</sub> max.	b <sub>2</sub> max.	g max.	e
	Inch	mm	mm	mm	mm	mm	mm	mm	mm	mm	mm	cm <sup>2</sup>	N	N		kg/m					
08 B - 1 HiPro	0.50	12.70	7.75	8.51	4.45	11.30	11.6	-	17.0	20.9	0.50	17 800	21 000	0.7		x	x	x	x	x	
10 B - 1 HiPro	0.625	15.875	9.65	10.16	5.08	13.28	14.6	-	19.6	23.7	0.67	22 200	25 000	0.9	x	x	x	x	x	x	
12 B - 1 HiPro	0.75	19.05	11.68	12.07	5.72	15.62	15.9	-	22.7	27.3	0.89	28 900	32 000	1.2	x	x	x	x	x	x	
16 B - 1 HiPro	1.00	25.40	17.02	15.88	8.28	25.40	20.5	-	36.1	41.5	2.10	60 000	80 000	2.7	x	x	x	x	x	x	
20 B - 1 HiPro	1.25	31.75	19.56	19.05	10.19	29.00	25.7	-	40.4	47.6	2.96	95 000	120 000	3.8	x	x	x			x	x
24 B - 1 HiPro	1.50	38.10	25.40	25.40	14.63	37.90	33.0	-	53.8	60.6	5.54	160 000	211 000	7.0	x	x	x			x	x
28 B - 1 HiPro	1.75	44.45	30.99	27.97	15.80	46.50	37.0	-	63.3	72.8	7.35	200 000	240 000	8.9		x	x			x	x
32 B - 1 HiPro	2.00	50.80	30.99	29.21	17.81	45.50	41.2	-	65.1	73.6	8.10	250 000	315 000	9.9	x	x	x			x	x

\* Also available as duplex and triplex on request \*\* Loose parts are produced in Rexnord RexHiProAthletic version

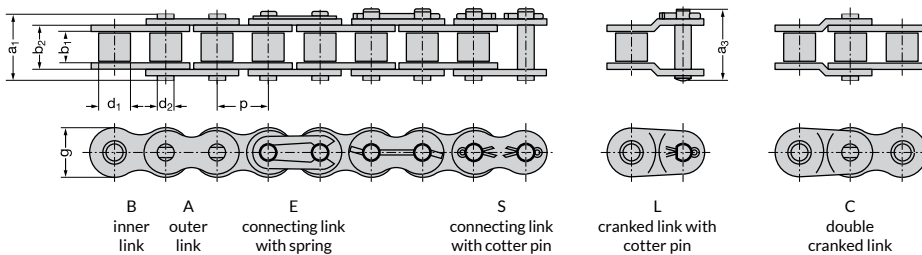


**AMERICAN STANDARD – REXHIPRO ROLLER CHAIN DIN ISO 606 (DIN 8188)**

Simplex roller chain

Chain No.*	Pitch		Width between inner plates	Roller diameter	Pin diameter	Width over inner link	Plate depth	Transverse pitch	Pin length	Connecting pin length	Bearing area	Required minimum tensile strength DIN/ISO	Average tensile strength	Weight	Possible with straight sided plates	Loose parts					
	p															b <sub>1</sub> min.	d <sub>1</sub> max.	d <sub>2</sub> max.	b <sub>2</sub> max.	g max.	e
	Inch	mm	mm	mm	mm	mm	mm	mm	mm	mm	mm	cm <sup>2</sup>	N	N		kg/m					
60 - 1 HiPro	0.75	19.05	12.57	11.91	5.94	17.70	17.7	-	25.7	28.6	1.05	31 300	40 000	1.5	x	x	x	x	x	x	
80 - 1 HiPro	1.00	25.40	15.75	15.88	7.92	22.50	23.5	-	33.0	38.0	1.78	55 600	65 000	2.6	x	x	x	x	x	x	
100 - 1 HiPro	1.25	31.75	18.90	19.05	9.53	27.40	29.2	-	39.4	44.9	2.61	87 000	105 000	4.0		x	x			x	x
120 - 1 HiPro	1.50	38.10	25.22	22.23	11.10	35.30	34.4	-	49.8	56.1	3.92	125 000	145 000	5.5		x	x			x	x
140 - 1 HiPro	1.75	44.45	25.22	25.40	12.70	37.00	40.8	-	53.4	59.3	4.70	170 000	220 000	7.5		x	x			x	x
160 - 1 HiPro	2.00	50.80	31.55	28.58	14.27	45.00	47.8	-	63.6	68.9	6.42	223 000	260 000	10.2		x	x			x	x

\* Also available as duplex and triplex on request \*\* Loose parts are produced in Rexnord RexHiProAthletic version



**Lubrication:**

- Use of Rexnord RexPro Lubrication, free from heavy metals, silicone and Teflon
- Operating temperature: -30°C to +130°C
- With high temperature lubricants use is possible up to 250°C