

How to Use This Manual

This manual provides detailed instructions on installation and maintenance of Orange Peel Guards, Type MCG, Sizes 05 thru 25.

CAREFULLY FOLLOW THE INSTRUCTIONS IN THIS MANUAL AND SUPPLEMENTAL POWER TOOL MANUALS FOR OPTIMUM SAFETY AND PERFORMANCE.

Introduction

NOTICE: Install and operate Orange Peel products in conformance with applicable local and national safety codes, and per the supplied Orange Peel installation and maintenance manual. Guards are suitable for non-catastrophic containment. Guard halves are supplied as standard with molded safety labels. ANSI Z535.4 (PN 2924286 English) adhesive safety labels and ISO 3864 (PN 2924292 Symbol) adhesive safety labels can be purchased for application over the molded labels (2 Required). It is the responsibility of the end user to determine if translated safety labels or symbol based safety training are required in their facility, to ensure complete understanding of the warning being communicated.

CAUTION: Observe all safety rules when installing or servicing guards and equipment.

WARNING: Exposed moving parts can cause severe injury. Lock out power at the starting switch of prime mover and remove all external loads from equipment before opening or removing the guard. Do not use the guard as a step.

Installation Instructions

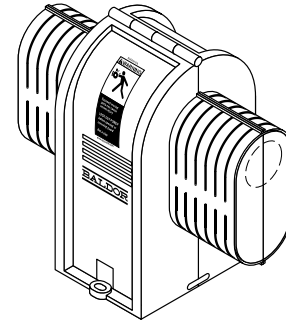
Installation of Orange Peel Guards requires standard mechanics tools and a power saw or hand saw. These are as follows:

- Circular saw, reciprocating saw, band saw, or hand saw with a blade suitable for cutting high density polyethylene plastic.
- Electric drill and hole saw set.
- Tape measure.
- 5/16"/8mm hex head sockets/socket wrench or open end wrench.
- Torque wrench.
- File or coarse sandpaper.

WARNING: Lock out power at the prime mover starting switch.

Clean all installation surfaces. Remove parts from the shipping box and verify quantities:

- 1 - Service manual (1)
- 2 - Guard assembly (guard halves w/hinge pin) (1)
- 3 - End cap halves (4)
- 4 - Fender washers (2)
- 5 - Optional risers with M8 fasteners (2)



Measurements

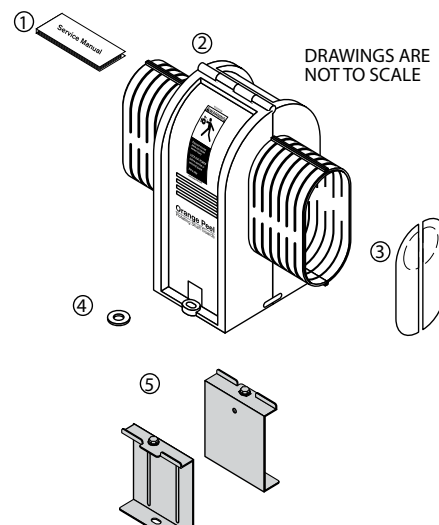
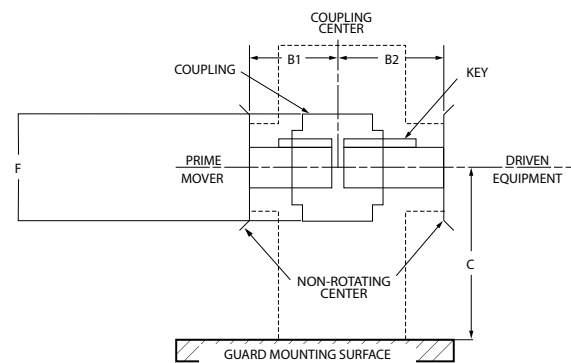
Determine and record the following trimming dimensions:

B_1 _____ Note: Coupling hubs can be overhung to increase dimension B.

B_2 _____

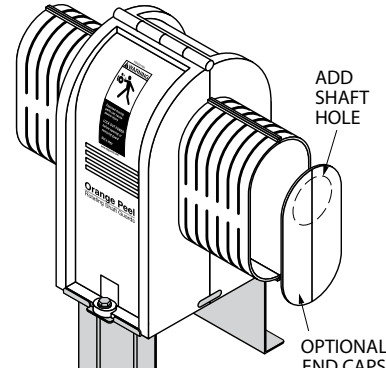
C _____ Guard risers are required if C is greater than C max. (Page 2)

WARNING: Accurate measurements are required! It is the installer's responsibility to limit all interface gaps to less than 250"/6mm.



Trimming

Locate and mark the extension trim lines that correspond to the recorded measurements. Allow for clearances. These can be scribed to ensure a straight cut. Be sure to double check your work. The numbers molded into the extensions and indicate the distance from the guard centerline, for trimming reference. Next support the guard half to be trimmed. It should be held firmly and allow for the safe trimming following the sawing tool manufacturers operating instructions. Be sure to read instructions thoroughly. Trim the guard half extensions. At times it may be necessary to notch the guard for protrusions. Sand or file all edges smooth.



Guard Installation

Position the guard in its final location. Be sure that gaps no greater than .250"/6mm exist. Optional end cap/s are required if gaps greater than .250"/6mm exist. Attach the snap in place end cap halves to the respective guard extensions, and mark the shaft centerline. Using a drill and holesaw, add a hole with a maximum .250"/6mm clearance at the marked centerline position.

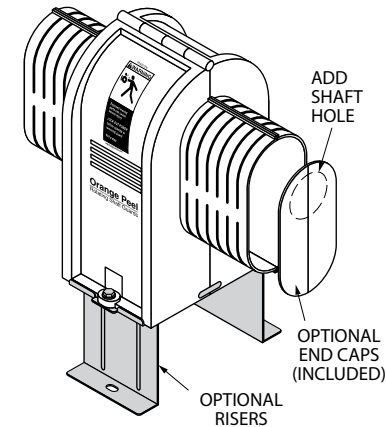
If optional risers are required, attach risers to each guard half using the supplied M8 fasteners and fender washers. Tighten to 180 lb-in/20 Nm.

Mark the foundation drilling location in the center of the guard or riser slotted hole. Drill or tap a hole for use with the customer supplied 5/16"/M8 fastener and fender washers, tighten to 180 lb-in/20 Nm.

Safety labels have been molded into each guard half. If an ANSI or ISO adhesive safety label has been supplied, it can be installed over the existing label.

NOTE: The guard bottom can be removed for tight radial clearances, if mounted on a solid surface.

Prior to starting equipment, inspect guard installation for proper clearances.



Equipment Servicing

WARNING: Lock out power at the starting switch of prime mover and remove all external loads from equipment before opening or removing the guard.

To open the guard, remove a base fastener. If a major repair is being made, completely remove the guard from the foundation and re-install BEFORE equipment is unlocked and started.



Guard Maintenance

Orange Peel Type MCG guards are virtually maintenance free. They never need painting and are supplied with non-corrosive stainless steel hardware. Periodic visual inspection should be performed every 60 days, along with the general equipment inspections with equipment shut down and locked out. Check the guard for any damage or component failure. If any torque on all fasteners. Also, make sure that the safety labels are clean and readable.